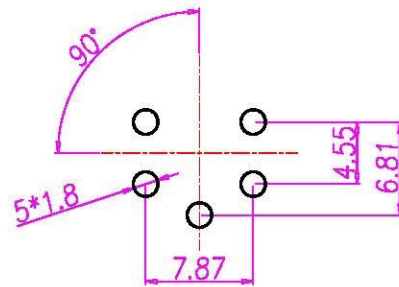
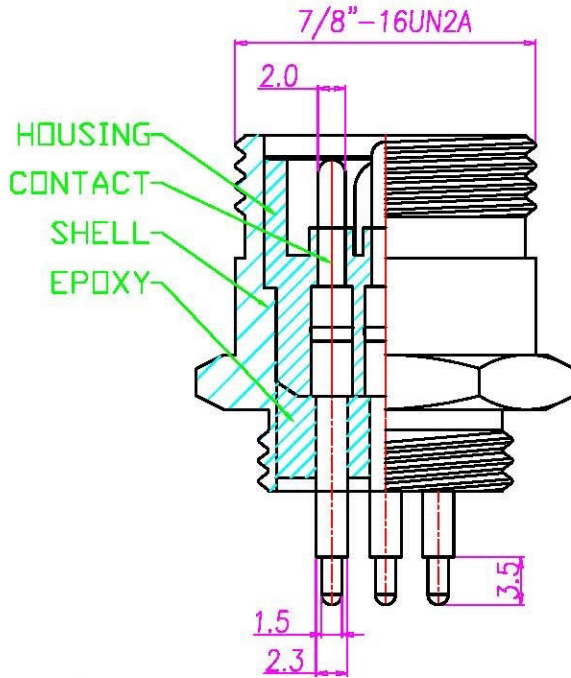
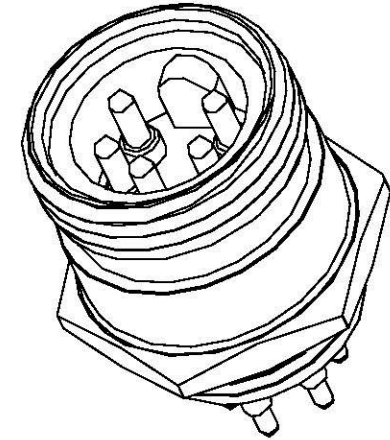
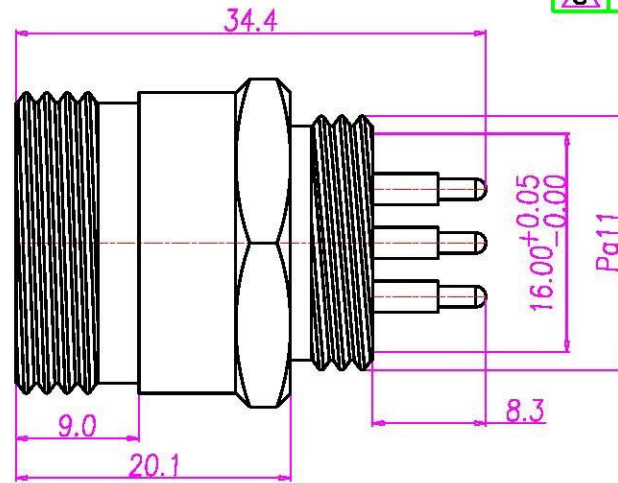
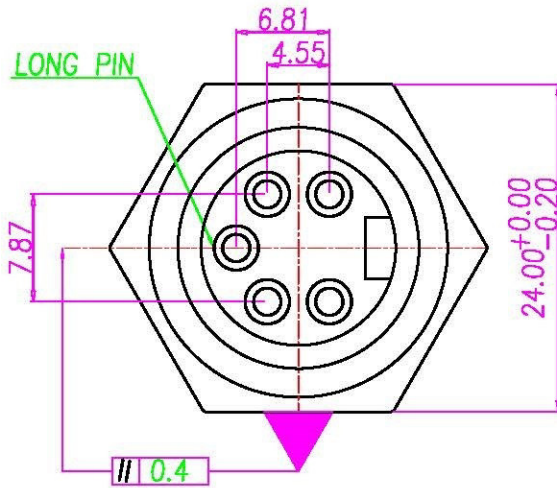


This document is the property of Nan-Yeong Corporation and is delivered on the express condition that it is not to be disclosed, reproduced or used, in whole or in part, for manufacture or sale by anyone other than Nan-Yeong Corporation without its prior consent, and that no right is granted to disclose or to use any information in this document.

CUSTOMER DRAWING

REV.	DESCRIPTION	APPROVED BY	DATE	ECN NO.
A	RELEASE	Fido Veng	14/09/09*	
B				
C				



- MATERIAL :**
 - 1-1. HOUSING : PBT UL94V-0 ; COLOR : BLACK
 - 1-2. CONTACT : BRASS
 - 1-3. SHELL : BRASS
 - 1-4. Epoxy Base :EF400A&EF400B.COLOR:BLACK
- FINISH :**
 - 2-1. CONTACT : 30 MICRO INCHES MIN. GOLD PLATED
UNDER PLATE : NICKEL
 - 2-2. SHELL : NICKEL PLATED
- ELECTRICAL SPECIFICATION :**
 - 3-1. Rated current : 20A
 - 3-2. Voltage :125V
 - 3-3. Water proof: IPX8
- Environmental :**
 - 4-1. Operation Temperature : -20 ℃~85℃

DRAWN	ku	APPEND	UNIT	mm	TOLERANCE		TITLE	Conn, Mini 5 pole, Male, Single DC Key, External Thread			SHEET
CHOKED			SCALE	1:1	X ±0.20 XX ±0.10 XXX ±0.05 XXXX ±0.03 ANGULA ±1°		PART NO.	WP-05M2-08	DWG NO.	QC1563	VERSION
www.allconnectors.de Tel.: 0049 711 709503 40294 Hilderstadt - Germany						info@allconnectors.de Fax: 0049 711 709504 Kellerstr. 25					